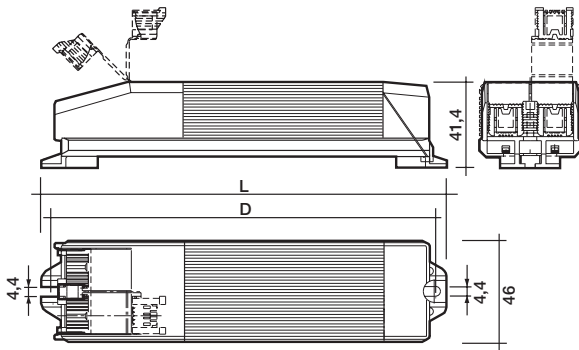




## ETAWATT 18–65 W 230 V 50 Hz



- $t_w = 130^\circ\text{C}$
- push terminal  $0.5\text{--}1.5\text{ mm}^2$  for solid cables
- non-resettable protection
- switch off temperature  $182^\circ\text{C}$

**Packaging:**  
box of 10  
600 pieces/pallet

**Certified:**  
EN 60921  
EN 61347-1  
EN 61347-2/8

Lamp			Choke							P. F. Correction			③
watt-age	type	nominal lamp current	type	article number	length	fixing centres	weight	$\Delta T$	$\lambda$	parallel compensation capacitor	series comp. capacitor	② line current	
W		A			L mm	D mm	kg	K		$\mu\text{F } \pm 10\% 250\text{V}$	$\mu\text{F } \pm 4\%$		

## Energy Efficiency Index EEI = B2

18	T8	0.370	ETAWATT 18 C201B 230V/50Hz	86457917	182.5	155–172.5	0.81	55	0.33/c	4.5	0.12	2.7 / 480V	A
23	T8	0.300	ETAWATT 18 C201B 230V/50Hz	86457917	182.5	155–172.5	0.81	40	0.42/c	3.0	0.15	2.4 / 450V	A
18	TC-L	0.375	ETAWATT 18 C201B 230V/50Hz	86457917	182.5	155–172.5	0.81	55	0.32/c	4.5	0.12	2.7 / 480V	A
24	TC-L	0.345	ETAWATT 18 C201B 230V/50Hz	86457917	182.5	155–172.5	0.81	50	0.41/c	4.0	0.14	2.7 / 480V	A
26	TC-D	0.325	ETAWATT 18 C201B 230V/50Hz	86457917	182.5	155–172.5	0.81	45	0.43/c	3.5	0.15	2.5 / 450V	A
28	TC-DD	0.320	ETAWATT 18 C201B 230V/50Hz	86457917	182.5	155–172.5	0.81	45	0.48	3.5	0.16	–	A

## Energy Efficiency Index EEI = B2

36	T8	0.430	ETAWATT 36 C201B 230V/50Hz	86457918	182.5	155–172.5	0.81	60	0.47/c	4.5	0.20	3.4 / 450V	A
38	T8	0.430	ETAWATT 36 C201B 230V/50Hz	86457918	182.5	155–172.5	0.81	60	0.49/c	4.5	0.21	3.4 / 450V	A
40	U	0.430	ETAWATT 36 C201B 230V/50Hz	86457918	182.5	155–172.5	0.81	60	0.50/c	4.5	0.22	3.4 / 450V	A
2x18	T8	0.40 ①	ETAWATT 36 C201B 230V/50Hz	86457918	182.5	155–172.5	0.81	50	0.51	4.5	0.19	–	A
36	TC-L	0.435	ETAWATT 36 C201B 230V/50Hz	86457918	182.5	155–172.5	0.81	60	0.46/c	4.5	0.20	3.4 / 450V	A
38	TC-DD	0.430	ETAWATT 36 C201B 230V/50Hz	86457918	182.5	155–172.5	0.81	60	0.48	4.5	0.21	–	A
40	T-R	0.415	ETAWATT 36 C201B 230V/50Hz	86457918	182.5	155–172.5	0.81	55	0.51/c	4.5	0.19	3.4 / 450V	A
2x18	TC-L	0.40 ①	ETAWATT 36 C201B 230V/50Hz	86457918	182.5	155–172.5	0.81	50	0.51	4.5	0.19	–	A

## Energy Efficiency Index EEI = B2

58	T8	0.670	ETAWATT 58 C201B 230V/50Hz	86457919	221.5	195–212	1.24	55	0.48/c	7.0	0.32	5.3 / 450V	A
65	T	0.670	ETAWATT 58 C201B 230V/50Hz	86457919	221.5	195–212	1.24	55	0.48/c	7.0	0.32	5.3 / 450V	A
65	U	0.670	ETAWATT 58 C201B 230V/50Hz	86457919	221.5	195–212	1.24	55	0.51/c	7.0	0.32	5.3 / 450V	A

① lamp current, measured in parallel connection

②  $\cos \varphi > 0.9$

③ A ... standard article

B ... on request